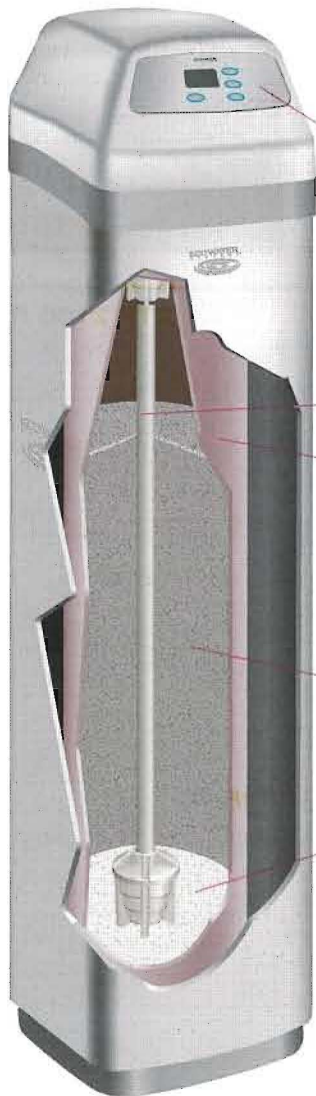


# ETF 2100

ECOWATER SERIES • WATER FILTRATION SYSTEM

It's That Good.®

A Proven System for Removing Iron and Treating Problem Water



#### Automatic Bypass

#### Electronic Timer Controls

Electronic timer controls regeneration frequency. Full menu-driven options.

#### Full One-Inch Riser

One-inch diameter for increased flow rates, which ensures that household demand is adequately met.

#### Multi-Wrap Fiberglass Reinforced Resin Tank

Underwriters Laboratories listed tank liner with a fiberglass wrapped exterior for strength. Doesn't deteriorate, rust, or corrode.

#### Fully Ported One-Inch Valve with Easy-Clamp Ring and Patented Teflon® Discs

#### Choose Media for Custom Application

#### Washed Quartz Underbedding

Washed quartz doesn't impart hardness into softened water and allows for more powerful "piston effect" during counter-current cycles.

#### 24-Volt Transformer

Simplifies installation, maintenance and reduces electrical hazards.

ECOWATER SYSTEMS  
330 Long Ave., Rt. 272 N.  
Echelon, PA 17822  
717-733-1184 • 1-800-874-1114

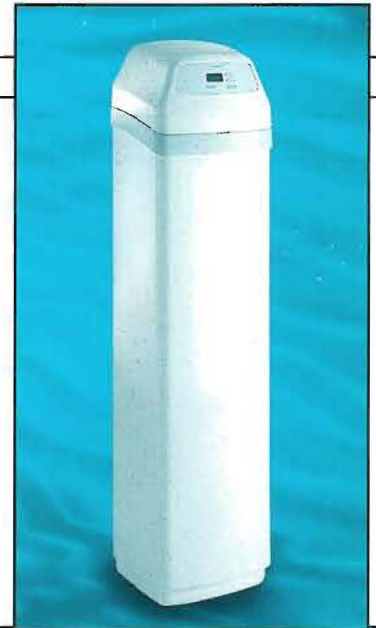
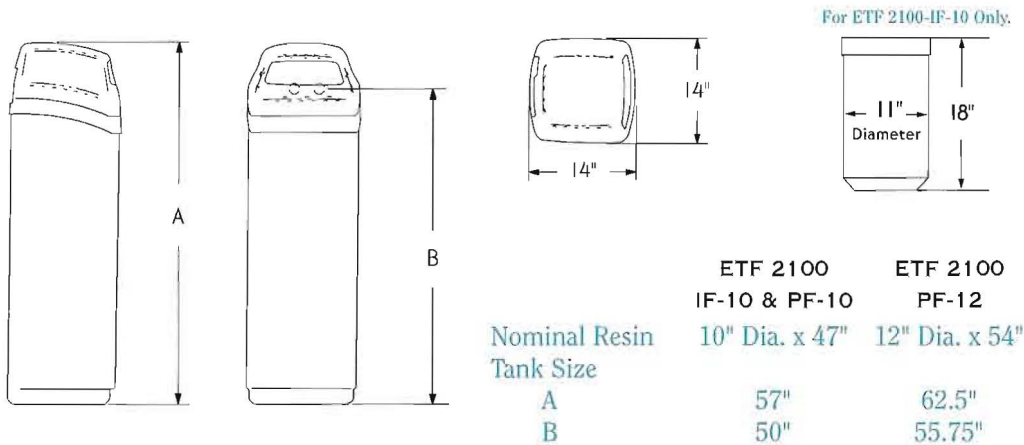


\*Teflon is a registered trademark of DuPont.

ECOWATER.COM

# ETF 2100 (PF-10 and 12, IF-10)

## DIMENSIONS



## SPECIFICATIONS

Multi-purpose Filters (3 media choices)	ETF 2100 PF-10	ETF 2100 PF-12
<i>Sediment Removal</i> Service Water Flow Rate (gpm)	4	4 – 8
Type of Mineral: Filter Aggregate Contaminant Limits	Based on water analysis	
<i>Acid Neutralizer</i> Service Water Flow Rate (gpm)	8	8
Type of Mineral: Neutralite Lower pH Limit	6.0	6.0
<i>Taste and Odor Removal</i> Service Water Flow Rate (gpm)	8	8
Type of Mineral: Activated Carbon Contaminant Limits	Based on water analysis	
Amount Mineral Recommended (cu. ft.)	1 to 1¼	2
Amount Washed Quartz (lbs.)	17	29
Supply Water Pressure Limits (psi)	20 – 125	20 – 125
Supply Water Temperature Limits (°F)	35 – 120	35 – 120
Minimum Inlet Water Flow (gpm) – Required for Backwash and Fast Rinse on media listed above.*	5	7

\*Check with media manufacturer for other media requirements.

### Iron Filter

	ETF 2100 IF-10
Iron Removal (mineral)	Birm (Ferrite) or Manganese Treated Green Sand
Iron Removal Limits (ppm)	20
Amount Mineral Recommended (cu. ft.)	1 to 1¼
Service Water Flow Rate (gpm)	8
Supply Water Pressure Limits (psi)	20 – 125
Supply Water Temperature Limits (°F)	35 – 120
Maximum Inlet Water flow, Backwash and Fast Rinse Flow to Drain (gpm)	7
Mineral Regenerate	Potassium Permanganate
Amount Used Each Recharge (oz.)	2



EcoWater Systems, Inc.  
P.O. Box 64420  
St. Paul, MN 55164-0420  
www.ecowater.com



EcoWater Systems Ltd.  
#1 Independent Bus. Pk. Mill Rd.  
Stokenchurch, Bucks  
United Kingdom HP14 3TP



EcoWater Canada Ltd.  
5240 Bradco Blvd.  
Mississauga, Ontario  
Canada L4W 1G7



EcoWater Systems Europe N.V.  
Geelseweg 56  
2250 Olen  
Belgium



A member of The Marmon Group of companies

0602405 (Rev. E) 2/05

Printed in the U.S.A.

© 2005 EcoWater Systems, Inc.

ECOWATER.COM