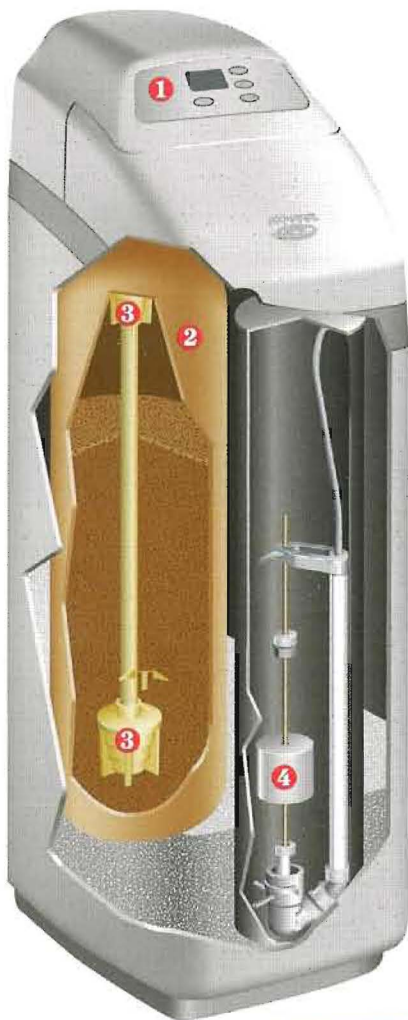


# ESD 518

ECOWATER SERIES • WATER SOFTENER



## The Latest Technology To Improve Your Water



Made in USA

### Bypass Valve (optional)

Brass-free and lead-free bypass valve lets you manually bypass the system.

- 1 Patented Electronic Digital Demand Module  
Solid-state electronics record usage patterns and control regeneration frequency based on predicted needs.

### Time Keeper

Permanent program memory with capacitor-backed time retention. Maintains time for at least 6 hours in case of power loss.

- 2 Multi-Wrap Fiberglass Reinforced Resin Tank  
Durable fiberglass-wrapped tank liner doesn't deteriorate, rust or corrode.

- 3 Self-Cleaning Distributors  
Distributors exhibit excellent flow rates and are cleaned automatically by counter-current water pressure.

- 4 Positive-Action Brine Valve  
Snap-together construction eliminates use of solvents that may contaminate water. Positive action helps prevent overfilling.

### 24-Volt Transformer

Simplifies installation, maintenance and reduces electrical hazards. ENERGY STAR® power supply for more efficient power use.

Automatic Bypass During Regeneration Means  
Continuous Water Usage



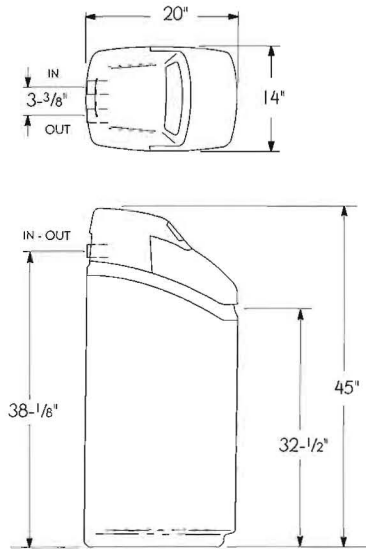
A Marmon Water/Berkshire Hathaway Company

The Science Behind Better Water®

ECOWATER.COM

# ESD 518

## DIMENSIONS



## SPECIFICATIONS

	<b>ESD 518</b>
Efficiency (gr./lb. @ min. lb. salt dose)	5,030 @ 2.0
Hardness Capacity (gr. @ max. lb. salt dose)	25,600 @ 10.7
Certified Flow Rate (gpm @ psi)	5 @ 7
Intermittent Flow Rate (gpm @ psi) <sup>1</sup>	8.7 @ 15
Intermittent Flow Rate (gpm @ psi) <sup>1</sup>	13.5 @ 30
Amount of Resin (cu. ft.)	.67
Maximum Recommended Water Hardness (gpg @ 500 gpd water usage)	50
Maximum Clear Water Iron (ppm-Fe) <sup>2</sup>	3
Approximate Water Used Each Regeneration (gal.) <sup>3</sup>	31
Salt Storage Capacity (lbs.)	225
Supply Water Pressure Limits (psi) <sup>4</sup>	20 – 125
Supply Water Temperature Limits (°F)	40 – 120
Ambient Temperature Range (°F)	35 – 150
Plumbing Connection Provided (inches)	<sup>3</sup> / <sub>4</sub>
Electrical Rating (transformer provided)	24V-50/60Hz

<sup>1</sup>Intermittent flow rate does not represent the maximum service flow rate used for determining the softener's rated capacity and efficiency. Continuous operation at flow rates greater than the certified flow rate may affect capacity and efficiency performance. The validity of these flow rates is verified by NSF.

<sup>2</sup>Increased amounts of clear water iron can reduce softeners efficiency. Refer to owner's manual for details. Wisconsin requires additional treatment if water supply contains greater than 5 ppm clear water iron.

<sup>3</sup>When operated at 35 psi water pressure

<sup>4</sup>Maximum pressure for Canadian use is 7.0 Kg/cm<sup>2</sup>

**ECOWATER**  
SYSTEMS



SINCE 1925.



Powered by an ENERGY STAR® qualified adapter for a better environment.



EcoWater Systems LLC  
P.O. Box 64420  
St. Paul, MN 55164-0420  
www.ecowater.com

EcoWater Systems Ltd.  
#1 Independent Bus. Pk. Mill Rd.  
Stokenchurch, Bucks  
United Kingdom HP14 3TP

EcoWater Canada Ltd.  
5240 Bradco Blvd.  
Mississauga, Ontario  
Canada L4W 1G7

EcoWater Systems Europe N.V.  
Geelseweg 56  
2250 Olen  
Belgium

Kunshan EcoWater Systems Company, Ltd.  
483 San Xiang Road  
Kunshan Economic & Technical  
Development Zone  
Kunshan, Jiangsu Province, PRC 215335



0602527 (Rev. J) 05/09

Printed in the U.S.A.

© 2009 EcoWater Systems LLC

ECOWATER.COM