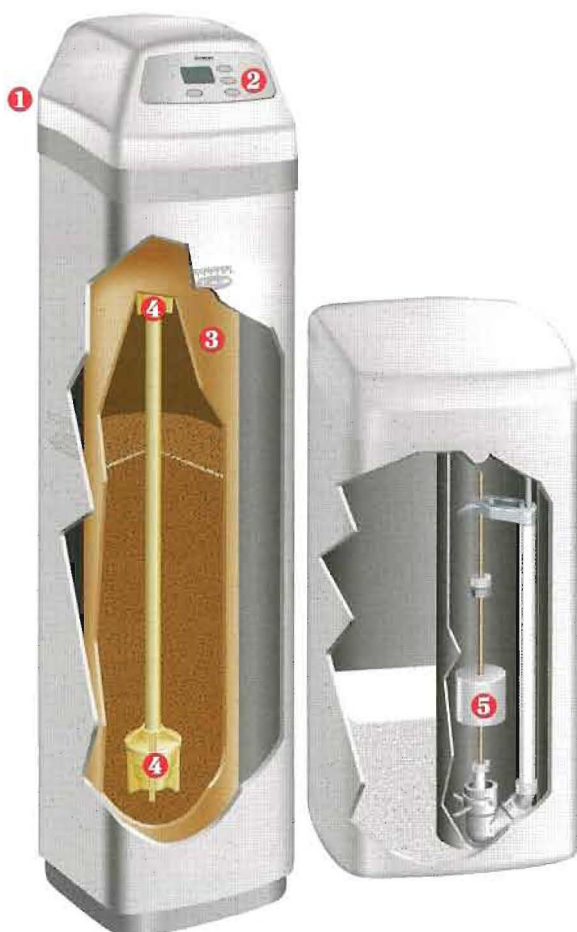


ESD 2502

ECOWATER SERIES • WATER SOFTENER



Enjoy Cleaner, Softer Water Throughout Your Home



- 1** Bypass Valve (optional)
Brass-free and lead-free bypass valve lets you manually bypass the system.
- 2** Patented Electronics
Sophisticated, yet easy-to-use electronics, capture historical water use patterns to predict future needs for precise regenerations.
- 3** Multi-Wrap Fiberglass Reinforced Resin Tank
Durable fiberglass-wrapped tank liner doesn't deteriorate, rust or corrode.
- 4** Self-Cleaning Distributors
Distributors exhibit excellent flow rates and are cleaned automatically preventing clogging.
- 5** Brine Valve
Controls water flow in and out of salt tank. Features automatic shut-off to prevent over filling.

Power Outage Backup
6-hour program memory – saves all data and settings in the event of a power outage.

Energy Efficient 24-Volt Transformer



Made in USA

EcoWater of Lancaster County, Inc.
1731 West Main St., Ste 100 • Ephrata, PA 17522
(717) 738-1164 • 800-475-6344 • FAX (717) 738-3399

ECOWATER
SYSTEMS®

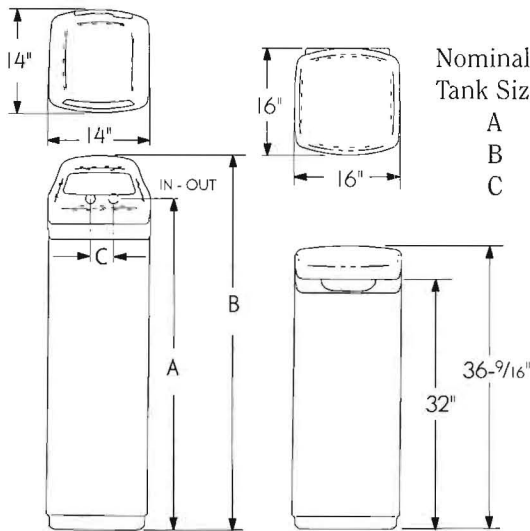
SINCE 1925.

A Marmon Water/Berkshire Hathaway Company

ECOWATER.COM

ESD 2502

DIMENSIONS



	ESD 2502R30	ESD 2502R39
Nominal Resin Tank Size	8" Dia. x 40"	10" Dia. x 47"
A	41.87"	49.12"
B	49.25"	56.5"
C	3 ³ / ₈ "	3 ¹³ / ₁₆ "



SPECIFICATIONS

	ESD 2502R30	ESD 2502R39
Efficiency (gr./lb. @ min. lb. salt dose)	5,070 @ 2.4	5,030 @ 2.4
Hardness Capacity (gr. @ max. lb. salt dose)	30,600 @ 12.6	40,200 @ 15.4
Certified Flow Rate (gpm @ psi)	7.8 @ 15	7 @ 6
Intermittent Flow Rate (gpm @ psi) ¹	7.8 @ 15	13.3 @ 15
Intermittent Flow Rate (gpm @ psi) ¹	12.2 @ 30	20.9 @ 30
Amount of Resin (cu. ft.)	0.79	1.13
Maximum Recommended Water Hardness (gpg @ 500 gpd water usage)	60	80
Maximum Clear Water Iron (ppm-Fe) ²	4	5
Approximate Water Used Each Regeneration (gal.) ³	31	40
Salt Storage Capacity (lbs.)	300	300
Supply Water Pressure Limits (psi) ⁴	20 – 125	20 – 125
Supply Water Temperature Limits (°F)	40 – 120	40 – 120
Ambient Temperature Range (°F)	35 – 150	35 – 150
Plumbing Connection (inches)	³ / ₄ to 1	1 to 1 ¹ / ₄
Electrical Rating (transformer provided)	24V-50/60Hz	24V-50/60Hz

¹Intermittent flow rate does not represent the maximum service flow rate used for determining the softener's rated capacity and efficiency. Continuous operation at flow rates greater than the certified flow rate may affect capacity and efficiency performance. The validity of these flow rates is verified by NSF.

²Increased amounts of clear water iron can reduce softeners efficiency. Refer to owner's manual for details. Wisconsin requires additional treatment if water supply contains greater than 5 ppm clear water iron.

³When operated at 35 psi water pressure

⁴Maximum pressure for Canadian use is 7.0 Kg/cm²



EcoWater Systems LLC
P.O. Box 64420
St. Paul, MN 55164-0420
www.ecowater.com

EcoWater Systems Ltd.
#1 Independent Bus. Pk. Mill Rd.
Stokenchurch, Bucks
United Kingdom HP14 3TP

EcoWater Canada Ltd.
5240 Bradco Blvd.
Mississauga, Ontario
Canada L4W 1G7

EcoWater Systems Europe N.V.
Geelseweg 56
2250 Olen
Belgium

Kunshan EcoWater Systems Company, Ltd.
483 San Xiang Road
Kunshan Economic & Technical
Development Zone
Kunshan, Jiangsu Province, PRC 215335



0602821 (Rev. H) 10/10

Printed in the U.S.A.

© 2010 EcoWater Systems LLC

ECOWATER.COM